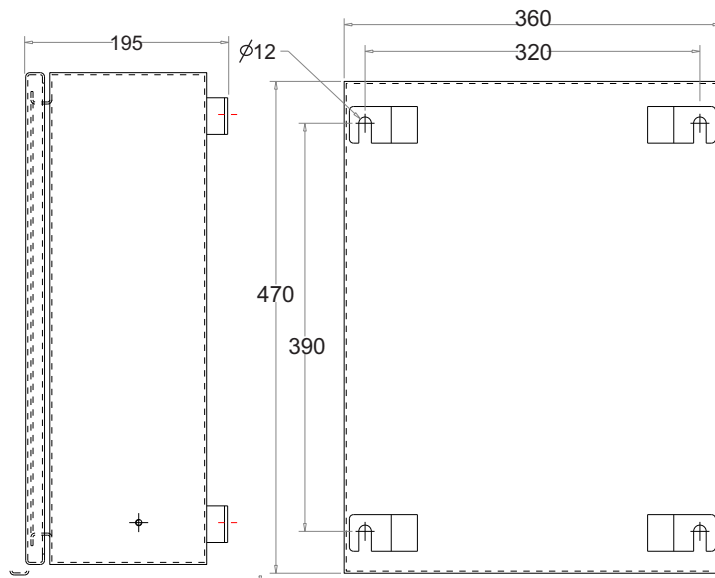
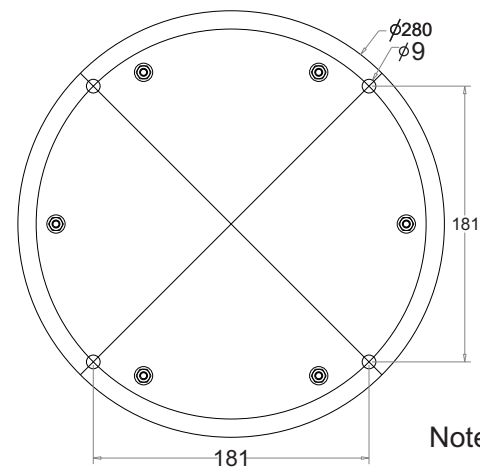
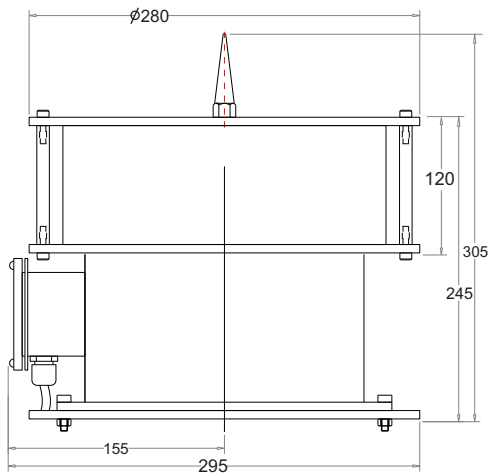




- Aluminium alloy (LM-6) body ensures effective heat dissipation.
- Borosilicate glass light cover is impact resistant and does not deteriorate with time
- Bird spikes for protection against droppings.
- Day and Night mode.
- Surge protection included.



Electrical Characteristics	
Main voltage	230VAC +/-10% 50Hz
Average wattage	60W (Day mode)
Mechanical Characteristics	
IP degree	Ip65
Wiring	Entry of cable through Wago connetors
Operating temperature	-20/+55°C
Size of the light	305 (height) x 295 (diameter)
Size of the power supply	470 (length) x 360 (width) x 195 (height)
Weight	12.5 kg for Lighthouse, 22.3 Kg for Power supply panel
Wire cross section	from 1 to 4 mm ²
Attachment	4 mounting holes of dia. 9
Photometric Characteristics	
Effective light output day time at 0° on site	20000cd(white)
Effective light output twilight mode at 0° on site	20000cd(white)
Effective light output night mode at 0° on site	2000cd (white)
Color day/twilight time	white
Color night time	white
Vertical beam spread	>3°
Horizontal beam spread	360°
Flash per minute	40



Note - All units are in mm.

Note - This is GA drawing, dimensions may vary as per the final product.



31, Anandraj Industrial Estate.Sonapur Lane,
Bhandup (W) Mumbai Maharashtra 400078



+91 87798 25153, +91 81691 13218



62, Raja Industrial Estate 1st Floor, P. K. Road,
Mulund (W) Mumbai, Maharashtra 400080



+91 9372440178, +91 99871 60292

info@enlightpro.com, support@enlightpro.com