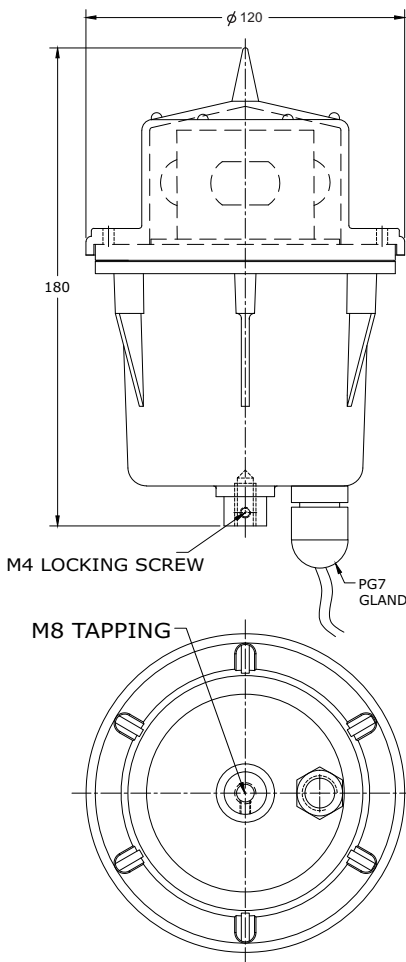

Light-Head with integrated power supply

- Omni directional low intensity light (32 cd).
- 4 optics with cover in hard polycarbonate and Powder-coated aluminum enclosure
- Simple installation
- LED drivers inside the Light-head with surge protections.
- Inbuilt Photocontroller

Electrical Characteristics	
Main voltage	230VAC +/-10% 50Hz
Average wattage	3 W (night mode)
Mechanical Characteristics	
IP degree	Ip65
Wiring	Entry through PG 7glands
Operating temperature	-20/+55°C
Size of the light	180mm (height) x 120mm (diameter)
Size of the power supply	Inbuilt in light head
Weight	1.0kg
Wire cross section	from 1 to 4 mm ²
Photometric Characteristics	
Effective light output day time at 0° on site	N/A
Effective light output twilight mode at 0° on site	N/A
Effective light output night mode at 0° on site	32.5cd (red)
Color day/twilight time	N/A
Color night time	Red
Vertical beam spread	>10°
Horizontal beam spread	360°
Flash per minute	40



Note - All units are in mm.

Note - This is GA drawing, dimensions may vary as per the final product.



31, Anandraj Industrial Estate.Sonapur Lane,
Bhandup (W) Mumbai Maharashtra 400078



+91 87798 25153, +91 81691 13218

+91 9372440178, +91 99871 60292



62, Raja Industrial Estate 1st Floor, P. K. Road,
Mulund (W) Mumbai, Maharashtra 400080



info@enlightpro.com, support@enlightpro.com