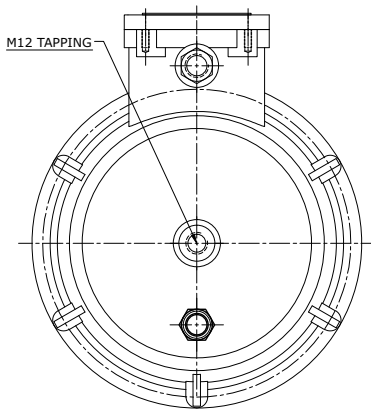
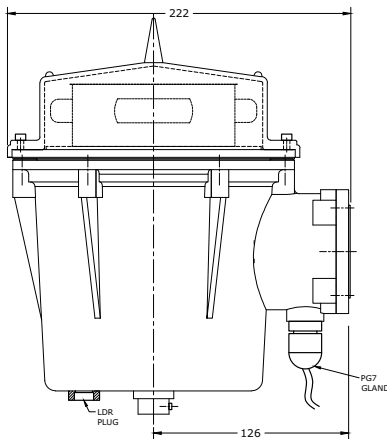




Light-Head with integrated power supply

- Omni directional low intensity light ( 2000 cd).
- 4 optics with cover in hard polycarbonate and Powder-coated aluminum enclosure
- Simple installation
- LED drivers inside the Light-head with surge protections.
- Inbuilt Photocontroller

Electrical Characteristics	
Main voltage	230VAC +/-10% 50Hz
Average wattage	10 W
Mechanical Characteristics	
IP degree	Ip65
Wiring	Entry through WAGO connector
Operating temperature	-20/+55°C
Size of the light	240mm (height) x 222mm (diameter)
Size of the power supply	Inbuilt in light head
Weight	1.0kg
Wire cross section	from 1 to 4 mm <sup>2</sup>
Photometric Characteristics	
Effective light output day time at 0° on site	N/A
Effective light output twilight mode at 0° on site	N/A
Effective light output night mode at 0° on site	2000cd (red)
Color day/twilight time	N/A
Color night time	Red
Vertical beam spread	>3°
Horizontal beam spread	360°
Flash per minute	40



Note - All units are in mm.

Note - This is GA drawing, dimensions may vary as per the final product.



31, Anandraj Industrial Estate.Sonapur Lane,  
Bhandup (W) Mumbai Maharashtra 400078



62, Raja Industrial Estate 1st Floor, P. K. Road,  
Mulund (W) Mumbai, Maharashtra 400080



+91 87798 25153, +91 81691 13218

+91 9372440178, +91 99871 60292



[info@enlightpro.com](mailto:info@enlightpro.com), [support@enlightpro.com](mailto:support@enlightpro.com)